



Introducing

CII FCA-150 Series Relay
50 Amps, 1PST/NO (DM)

CII FCAC-150 Series Relay
50 Amps, 1PST/NO (DM) with
1PDT Auxiliary Contacts



FCA-150 FCAC-150 Series Relays



KEY FEATURES

Non-latching relay

Balanced force design

Corrosion protected metal enclosure

All welded hermetically sealed enclosure occupies about 1 in³

1 Form X (SPST-NO-DM)
Auxiliary versions available with 1 Form C (SPDT) aux.

6, 12 and 28 Vdc coils available

Weight: 90 grams

Designed and built in accordance with MIL-PRF-6106

Rated for altitude up to 300,000 ft.

Available with optional terminals and mounting styles

DESCRIPTION

The FCA-150 series relay is a polarized, single-side stable design, where the flux from a permanent magnet provides the armature holding force in the deactivated state, and its flux path is switched and combined with the coil flux in the operated state. This results in appreciably increased contact pressure in both states over that of a spring return non-polar design. The FCAC-150 series has a 1 Form C (SPDT) auxiliary contact set rated at 2 A available.

Designed and built to perform under the most demanding environmental conditions and can withstand such changing environmental factors as temperature, altitude, shock, vibration, and salt spray.

Minimum mechanical life expectancy is 50,000 cycles under resistive load.

3 available coil voltages (6, 12 and 28 Vdc) with optional transient suppression.

APPLICATIONS

Used in military, aerospace, and associated ground support electrical and electronic systems. Principle areas of application include:

- Aircraft
- Missiles
- Power Distribution
- Fuel Pumps
- Avionics Main Power Feed
- Weapons Systems
- Ground Support Equipment

PART NUMBERING SYSTEM

Typical Part Number

	FCA-150 or FCAC-150	-A	Y	3
Series and Contact Arrangement: FCA-150 = Relay with 1 Form X Main Contacts FCAC-150 = Relay with 1 Form X Main Contacts and 1 Form C Auxiliary Contacts				
Terminals (see drawings for details): B = Solder Pin Coil Terminals, Stud Power Terminals C = Solder Hook Coil Terminals, Stud Power Terminals K = Terminal Block, Stud Power Terminals				
Enclosure (see drawings for details): R = Horizontal Flange Mount, Rotated U = Flush Vertical Flange Mount X = Horizontal Flange Mount Y = Raised Vertical Flange Mount Z = No Mount				
Coil: 1 = 6Vdc nominal 2 = 12Vdc nominal 3 = 28Vdc nominal 4 = 28Vdc nominal, with back EMF suppression				

PERFORMANCE DATA

Specifications

Contact Data

Contact Form	FCA-150: 1 Form X (SPST-NO-DM) FCAC-150: 1Form X (SPST-NO-DM) with 1 Form C (SPDT) Auxiliary Contacts			
Contact Rating in Amps (Continuous Duty)				
	Type of Load	Life (Min.) Cycles	28 Vdc	115 Vac 400 Hz
	Resistive	50,000	50	50
	Inductive (L/R=5ms)	20,000	20	20
	Motor	20,000	20	20
	None	100,000	-	-
Overload Current (Resistive)	200 A, 50 cycles			
Max. Contact Drop at 10A	Initial 150 mV; After Life 175 mV			
Operate Time at Nominal Voltage	15 ms			
Release Time	15 ms			
Bounce Time	1 ms			

Coil Data

Coil Code	1	2	3	4
Nominal Operating Voltage (Vdc)	6	12	28	28
Maximum Operating Voltage (Vdc)	7.3	14.5	29	29
Maximum Pick-Up Voltage at +125°C	4.5	9	18	18
Maximum Pick-Up Voltage at +125°C, continuous current test (Vdc)	5.7	11.25	22.5	22.5
Drop-Out Voltage at +125°C	0.3 – 2.5	0.75 – 4.5	1.5 – 7.0	1.5 – 7.0
Maximum Coil Current at +25°C (mA)	.50	.26	.15	.15
Back EMF Suppressed to (Vdc)	N/A	N/A	N/A	-42
Coil Resistance	18 Ω	70 Ω	290 Ω	290 Ω

Electrical Data

Initial Insulation Resistance (note 1)	100 megohms, minimum, at 500 Vdc, between each pin and case
Insulation Resistance After Life or Environmental Test (note 1)	50 megohms, minimum, at 500 Vdc, between each pin and case
Dielectric Strength At Sea Level	
Contacts to Ground and Between Contacts	1,250 Vrms, 60 Hz
Coil to Ground	1,000 Vrms, 60 Hz
Dielectric Strength at 80,000 ft (25,000 m), All Points (note 4)	500 Vrms, 60 Hz

Environmental Data

Ambient Temperature Range, Operating	-70°C to +125°C
Altitude	300,000 ft
Shock Resistance	50 G's, 11 ms
Vibration Resistance, Sinusoidal	20 G's, 75-3000 Hz

Mechanical Data

Approximate Weight	3.2 oz. (90 g) Max.
--------------------	---------------------

NOTES

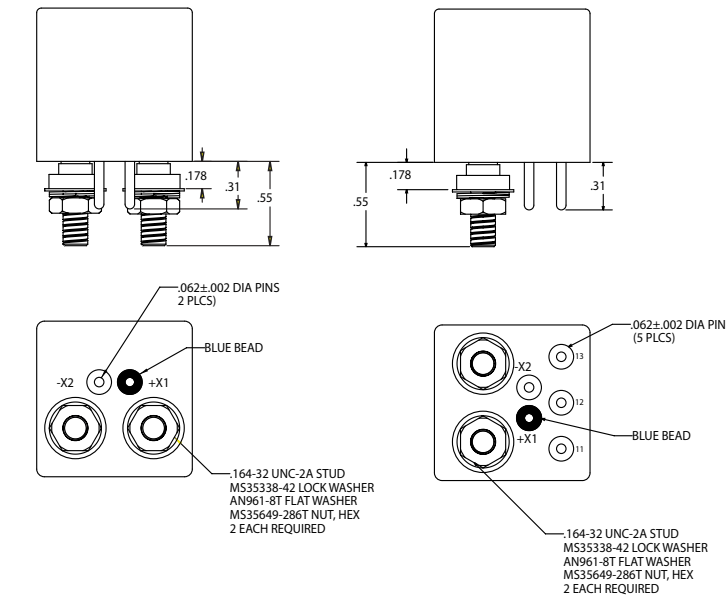
1. All wired terminals must be connected together during this test. Dielectric withstanding voltage and insulation resistance are measured between all mutually insulated wired terminals and between all these terminals and case.

FCA-150 FCAC-150 Series Relays

TERMINALS

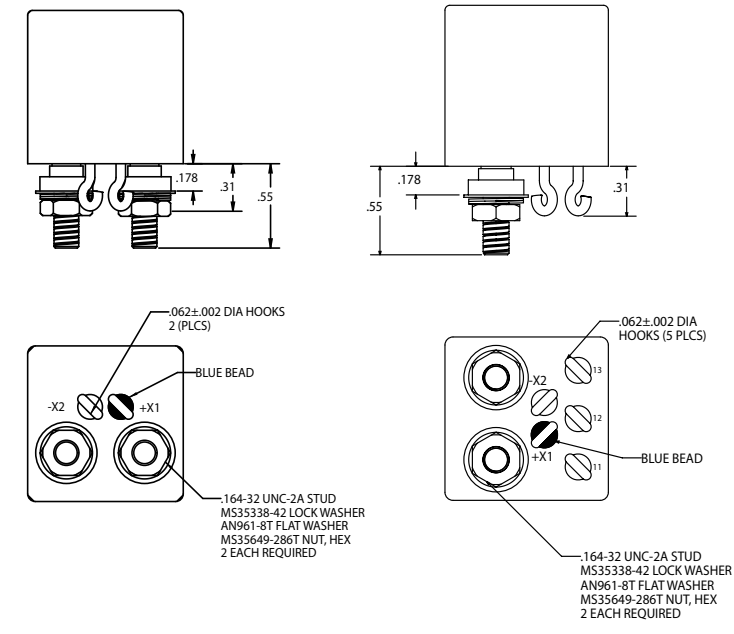
CODE "B"

Solder Pin Terminals — Tin/Lead Plated
FCA-150 FCAC-150



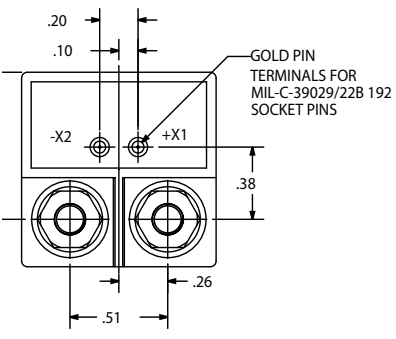
CODE "C"

Solder Hook Terminals — Tin/Lead Plated
FCA-150 FCAC-150

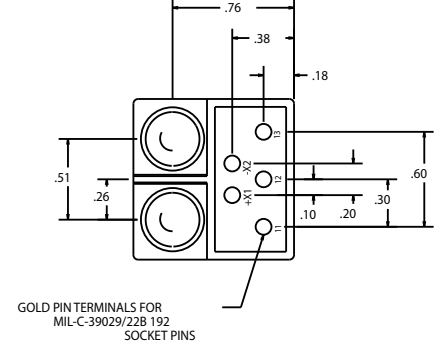


CODE "K"

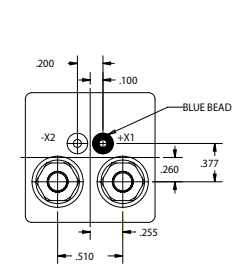
Terminal Shield
FCA-150



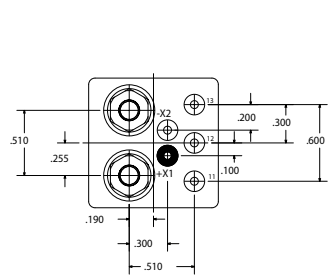
FCAC-150



Terminal View
FCA-150

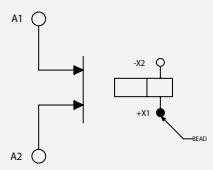


FCAC-150

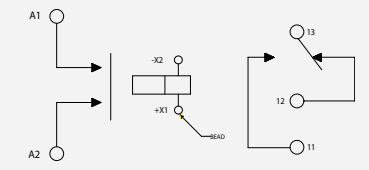


Terminal Wiring

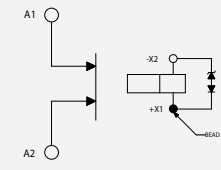
DC Coils
FCA-150



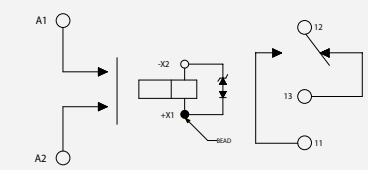
FCAC-150



DC Coils w/Transient Suppression
FCA-150



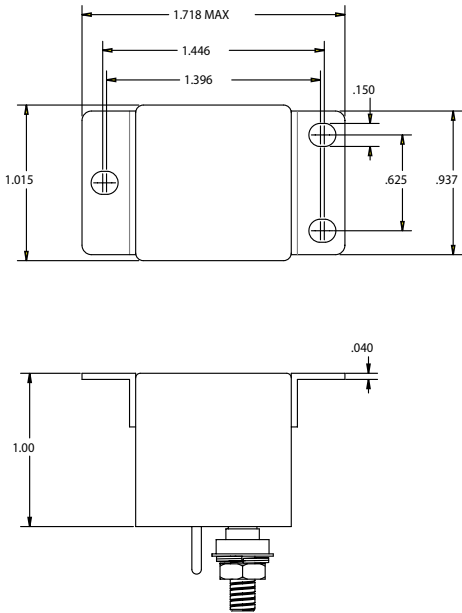
FCAC-150



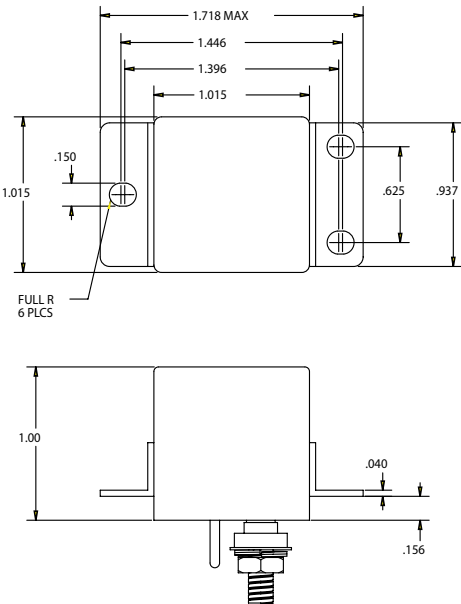
PRODUCT OUTLINE DIMENSIONS

The standard terminal types and enclosures are illustrated below with dimensions in inches ± 0.010 and (millimeters ± 0.25).
FCA-150 representative drawings are shown below.

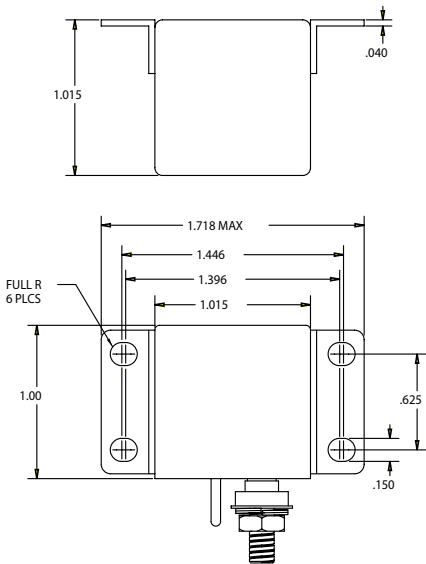
**CODE
"U"**



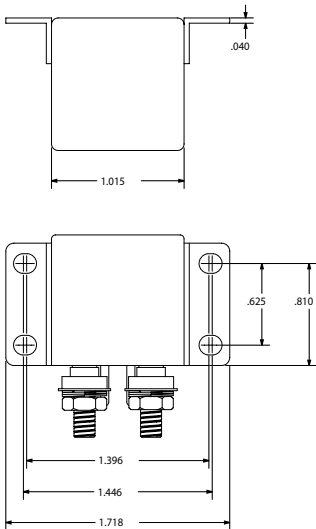
**CODE
"Y"**



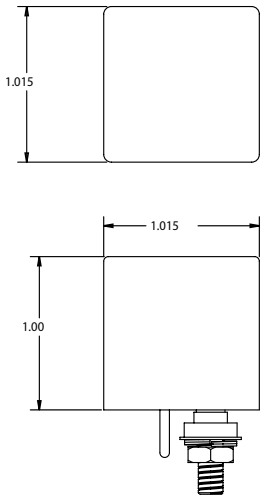
**CODE
"X"**



**CODE
"R"**



**CODE
"Z"**





2 Lydiard Fields, Swindon Wiltshire, SN5 8UB, United Kingdom
Tel: +44(0) 1793 616700 • Fax: +44(0)1793 644304
uksales@is-rayfast.com • www.is-rayfast.com

